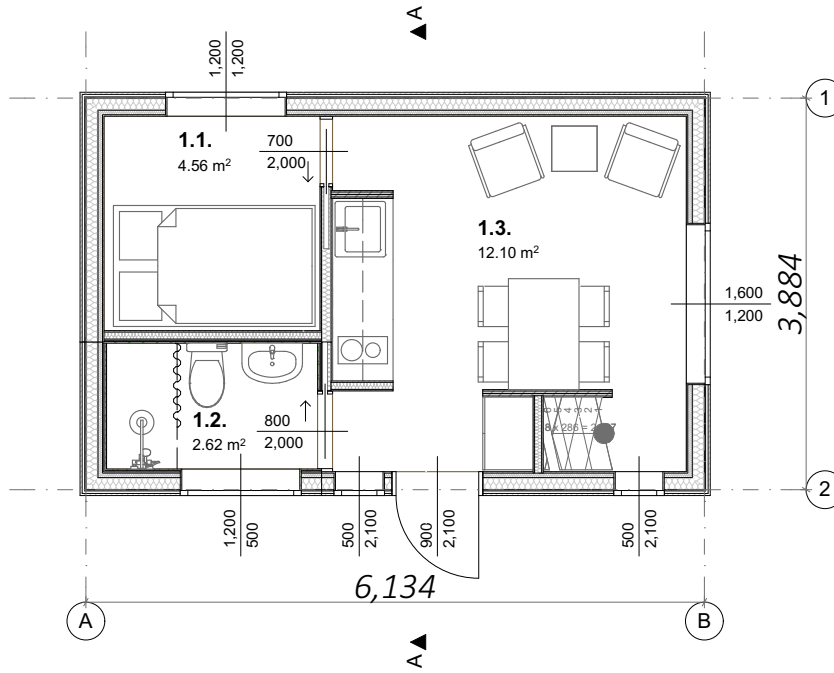
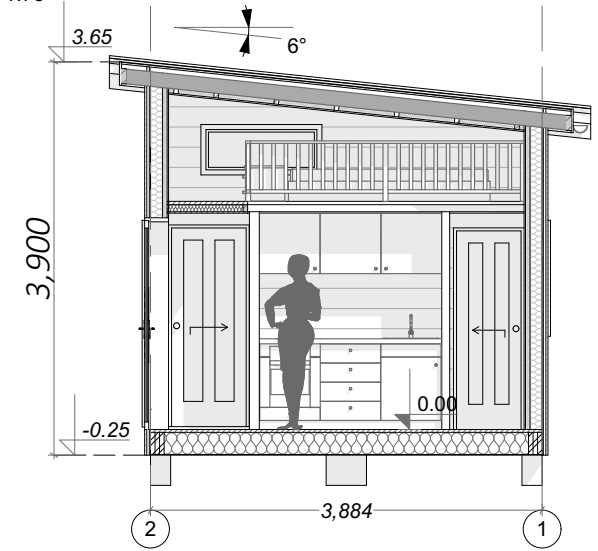




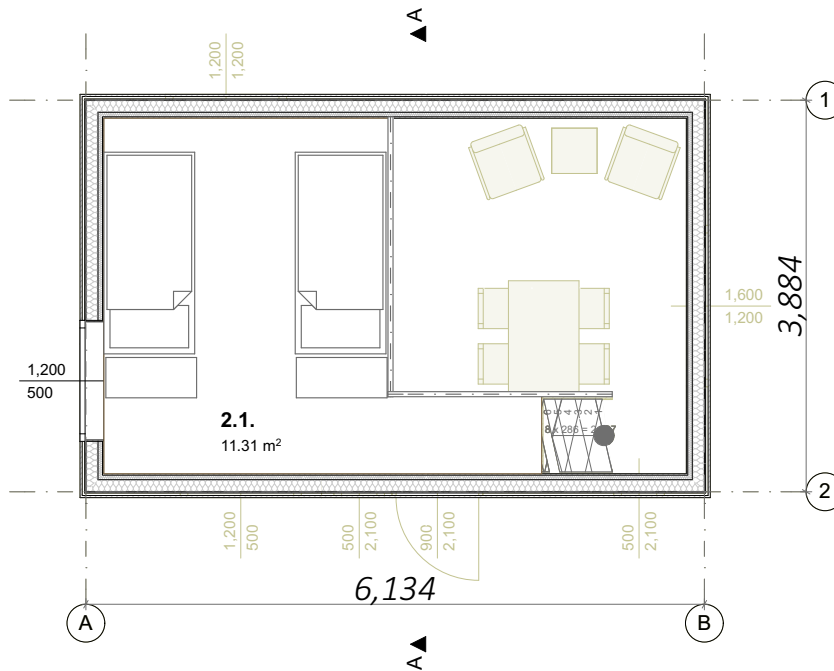
**1st floor**  
S 1:75



**Section A - A**  
S 1:75



**Loft**  
S 1:75



**Total area:** **25.00 m<sup>2</sup>**

**Living area:**  
1st floor **19.28 m<sup>2</sup>**  
Loft **11.31 m<sup>2</sup>**

**DWH | Fabrika Rauna**

**Model:** 026

**Drawing:** Floorplans; Section A - A

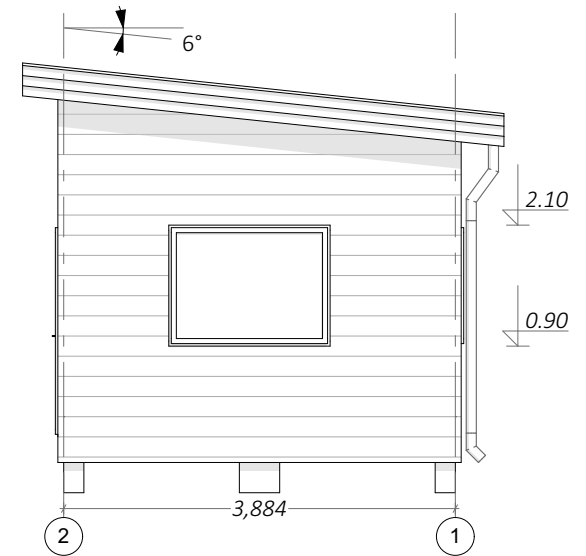
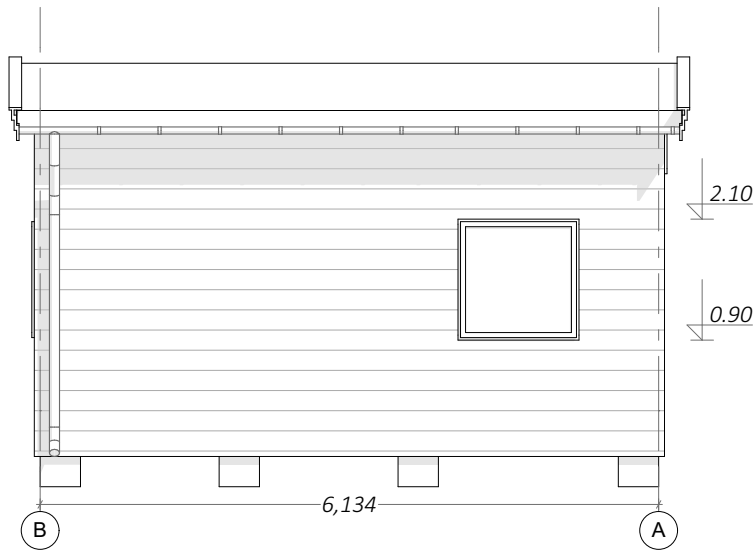
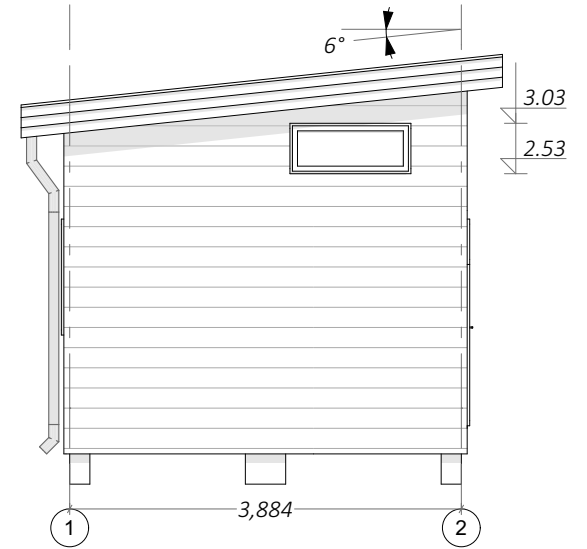
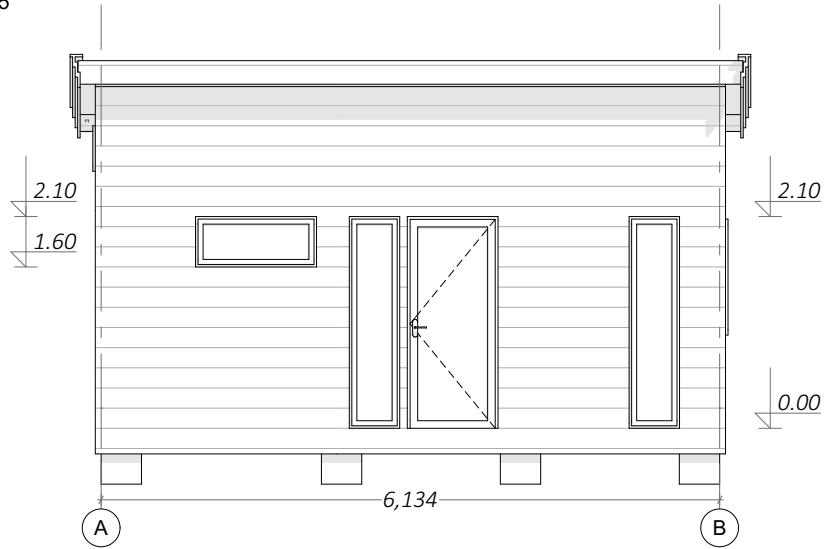
**Customer:**

**Scale:**  
1:75/ A4

**Design:** J. Peneze  
**Date:**

**Page**  
1  
**Pages**

**Fasades**  
S 1:75



**DWH | Fabrika Rauna**

Model: 026

Drawing: Fasades

Customer:

Scale:  
1:75/ A4

Design: J. Peneze  
Date:

Page  
2

Pages