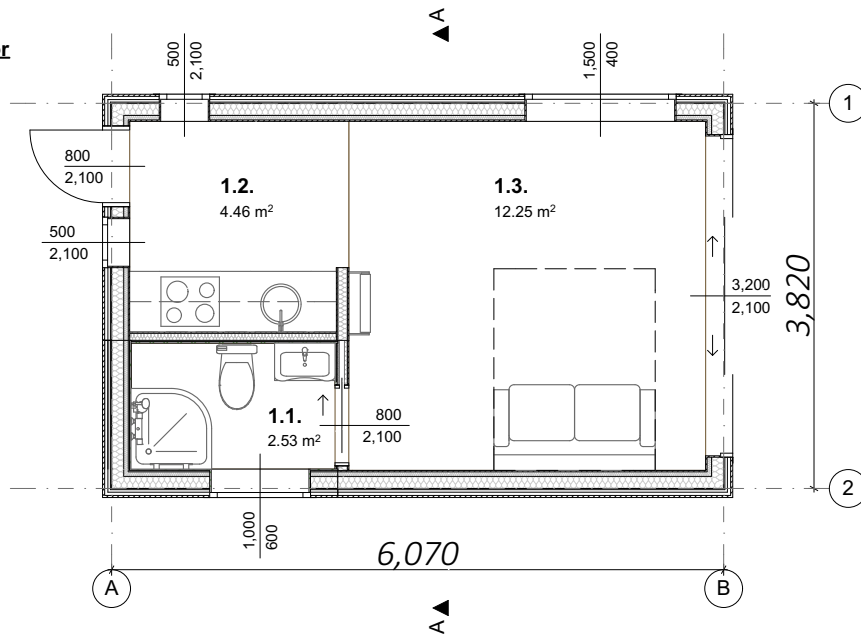
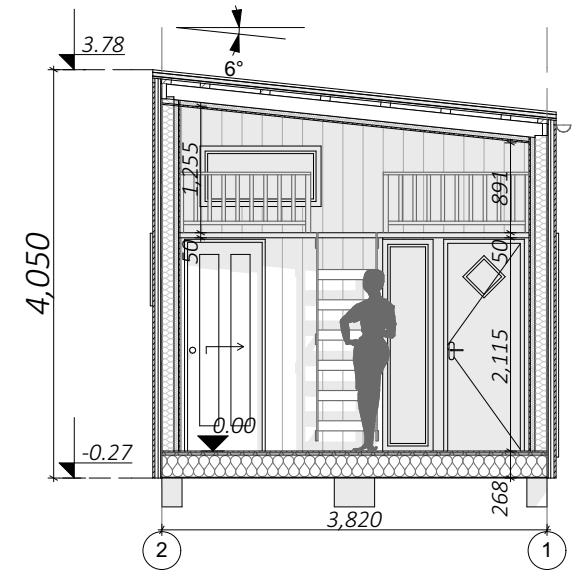




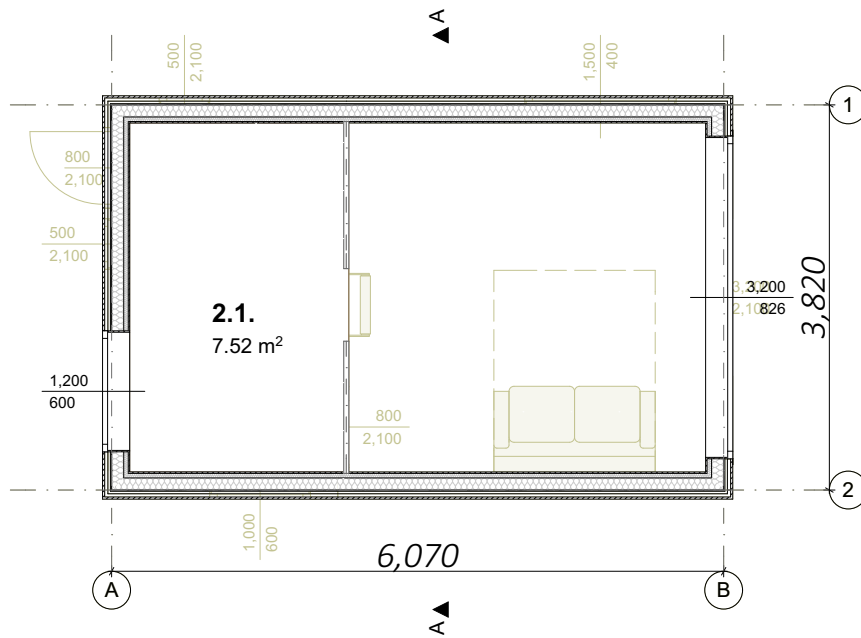
1st floor
S 1:75



Section A - A
S 1:75

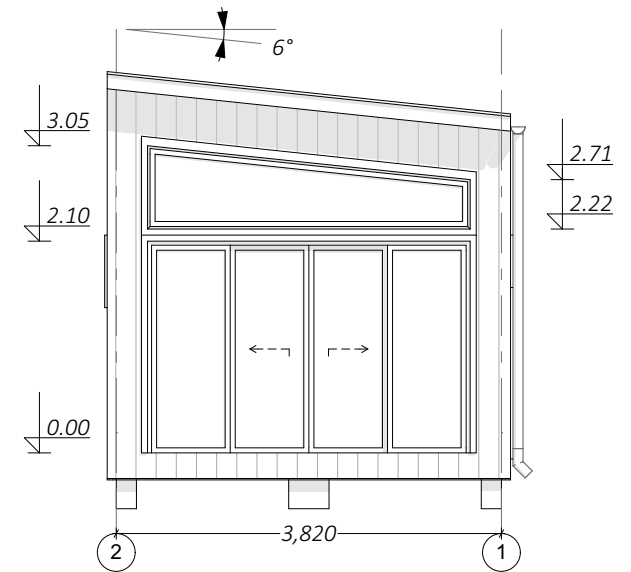
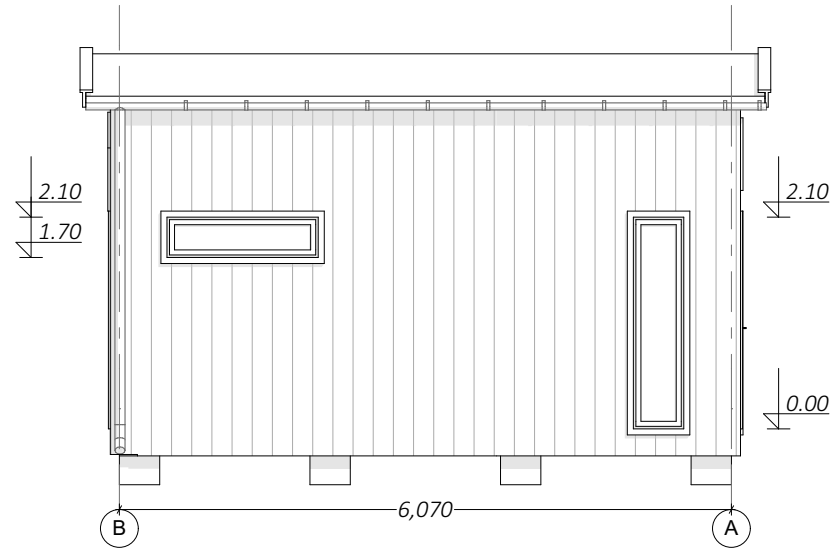
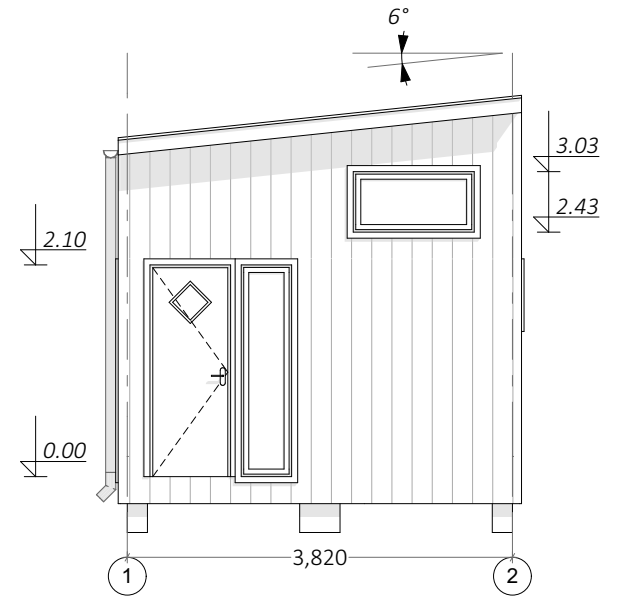
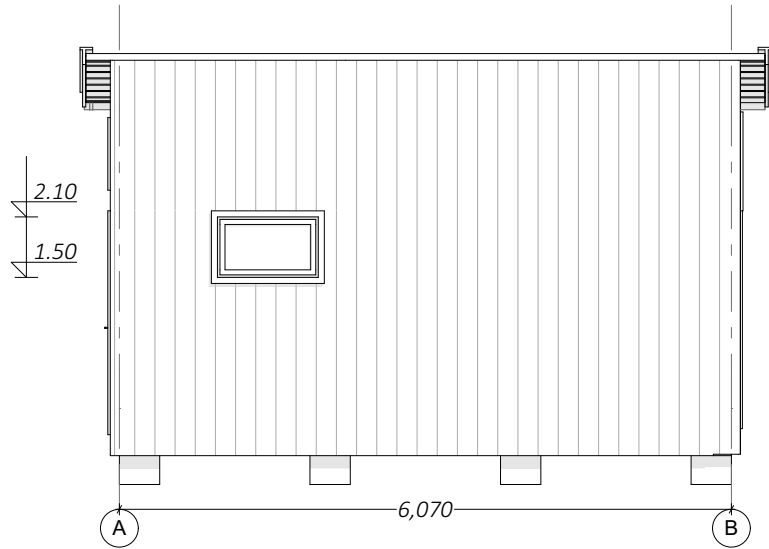


Mansard
S 1:75



DWH Fabrika Rauna			
Model:		060	
Drawing:		Floorplans; Section A - A	
Customer:			
Scale:	Design: J. Peneze	Page	Pages
1:75/ A4	Date: 08-Oct-17	1	1

Fasades
S 1:75



DWH | Fabrika Rauna

Model:		060	
Drawing:		Fasades	
Customer:			
Scale:	Design: J. Peneze	Page	Pages
1:75/ A4	Date: 08-Oct-17	2	2